

2. Specifications

2.1 Specification Sheet

Parameter		Unit	Value	
Model			GWH09UB-K6DNA4A	GWH12UB-K6DNA4A
Product Code			CB264002100	CB264002200
Power Supply	Rated Voltage	V~	220-240	220-240
	Rated Frequency	Hz	50	50
	Phases		1	1
Power Supply Mode			Outdoor	Outdoor
Cooling Capacity		W	2700	3530
Heating Capacity		W	3200	4000
Cooling Power Input		W	600	883
Heating Power Input		W	780	1000
Cooling Power Current		A	3.68	5.8
Heating Power Current		A	4.42	6.8
Rated Input		W	2300	2400
Rated Current		A	10.5	10.5
Air Flow Volume (SH/H/MH/M/ML/L/SL/SM)		m ³ /h	550/450/390/330/290/250/220/-	650/500/450/400/330/250/200/180
Dehumidifying Volume		L/h	0.8	0.8
EER		W/W	4.50	4.00
COP		W/W	4.10	4.00
SEER			7.5	7.2
SCOP(Average/Warmer/Colder)			4.6/5.7/3.6	4.6/5.5/3.6
Application Area		m ²	12-18	16-24
Indoor Unit	Model		GWH09UB-K6DNA4A/I	GWH12UB-K6DNA4A/I
	Product Code		CB264N02100	CB264N02200
	Fan Type		Cross-flow	Cross-flow
	Diameter Length(DXL)	mm	Φ92X616	Φ92X616
	Fan Motor Cooling Speed	r/min	1350/1127/1000/870/780/690/600/550	1400/1185/1053/920/829/741/650/550
	Fan Motor Heating Speed	r/min	1400/1151/1074/1000/930/842/750/-	1500/1185/1119/1053/958/842/750/-
	Output of Fan Motor	W	10	10
	Fan Motor RLA	A	0.3	0.3
	Fan Motor Capacitor	μF	/	/
	Input of Heater	W	/	/
	Evaporator Form		Aluminum Fin-copper Tube	Aluminum Fin-copper Tube
	Pipe Diameter	mm	Φ7	Φ7
	Row-fin Gap	mm	2-1.5	2-1.5
	Coil Length (LXDXW)	mm	623X25.4X304.8	623X25.4X304.8
	Swing Motor Model		MP24HD/MP20AC	MP24HD/MP20AC
	Output of Swing Motor	W	1.5/1.5	1.5/1.5
	Fuse	A	3.15	3.15
	Sound Pressure Level	dB (A)	Cooling:41/36/32/28/25/23/20/19 Heating:41/36/34/32/29/26/24/-	Cooling:42/37/33/29/26/23/21/19 Heating:58/51/47/43/40/37/35/33
	Sound Power Level	dB (A)	Cooling:57/50/46/42/39/37/34/33 Heating:57/50/48/46/43/40/38/-	Cooling:43/37/35/33/29/26/24/- Heating:58/51/49/47/43/40/38/-
	Dimension (WXHXD)	mm	860X305X170	860X305X170
	Dimension of Carton Box (LXWXH)	mm	932X385X280	932X385X280
Dimension of Package (LXWXH)	mm	935X388X295	935X388X295	
Net Weight	kg	11.5	11.5	
Gross Weight	kg	14	14	

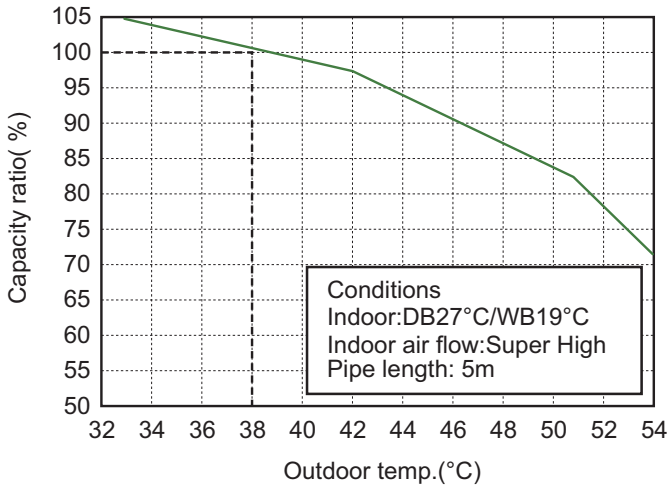
Outdoor Unit	Model		GWH09UB-K6DNA4A/O	GWH12UB-K6DNA4A/O
	Product Code		CB264W02100	CB264W02200
	Compressor Manufacturer/Trademark		ZHUHAI LANDA COMPRESSOR CO., LTD	ZHUHAI LANDA COMPRESSOR CO., LTD
	Compressor Model		QXFT-B123zE170B	QXFT-B123zE170B
	Compressor Oil		FW68DA	FW68DA
	Compressor Type		Rotary	Rotary
	L.R.A.	A	20	20
	Compressor RLA	A	7.9	7.9
	Compressor Power Input	W	1230	1230
	Overload Protector		HPC115/95U1/KSD115°C	HPC115/95U1/KSD115°C
	Throttling Method		Electron expansion valve	Electron expansion valve
	Operation temp	°C	16~30	16~30
	Ambient temp (cooling)	°C	-18~54	-18~54
	Ambient temp (heating)	°C	-30~24	-30~24
	Condenser Form		Aluminum Fin-copper Tube	Aluminum Fin-copper Tube
	Pipe Diameter	mm	Φ7	Φ7
	Rows-fin Gap	mm	2-1.4	2.5-1.4
	Coil Length (LXDXW)	mm	783X38.1X550	763X57X550
	Fan Motor Speed	rpm	850	850
	Output of Fan Motor	W	30	30
	Fan Motor RLA	A	0.24	0.24
	Fan Motor Capacitor	μF	/	/
	Air Flow Volume of Outdoor Unit	m ³ /h	2400	2400
	Fan Type		Axial-flow	Axial-flow
	Fan Diameter	mm	Φ438	Φ438
	Defrosting Method		Automatic Defrosting	Automatic Defrosting
	Climate Type		T1	T1
	Isolation		I	I
	Moisture Protection		IPX4	IPX4
	Permissible Excessive Operating Pressure for the Discharge Side	MPa	4.3	4.3
	Permissible Excessive Operating Pressure for the Suction Side	MPa	2.5	2.5
	Sound Pressure Level (H/M/L)	dB (A)	52/-/-	53/-/-
	Sound Power Level (H/M/L)	dB (A)	62/-/-	63/-/-
	Dimension (WXHXD)	mm	899X596X378	899X596X378
Dimension of Carton Box (LXWXH)	mm	945X417X630	945X417X630	
Dimension of Package (LXWXH)	mm	948X420X645	948X420X645	
Net Weight	kg	42	43.5	
Gross Weight	kg	45	46.5	
Refrigerant		R32	R32	
Refrigerant Charge	kg	0.95	0.9	
Connection Pipe	Length	m	5	5
	Gas Additional Charge	g/m	16	16
	Outer Diameter Liquid Pipe	mm	Φ6	Φ6
	Outer Diameter Gas Pipe	mm	Φ9.52	Φ9.52
	Max Distance Height	m	10	10
	Max Distance Length	m	15	20
	Note: The connection pipe applies metric diameter.			

The above data is subject to change without notice; please refer to the nameplate of the unit.

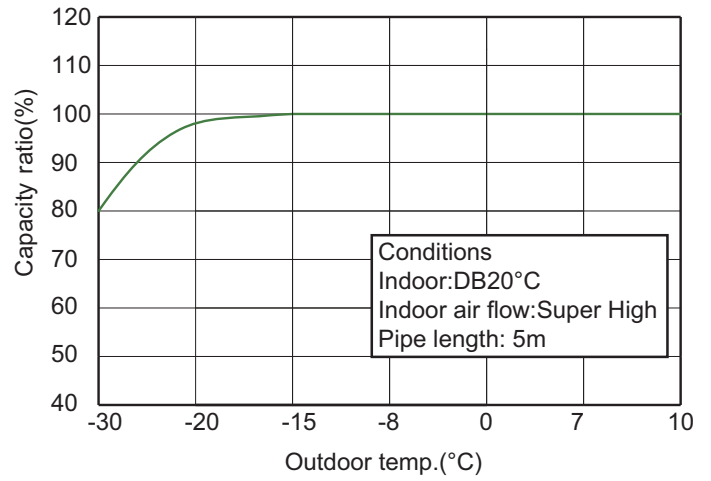
2.3 Capacity Variation Ratio According to Temperature

09/12K

Cooling

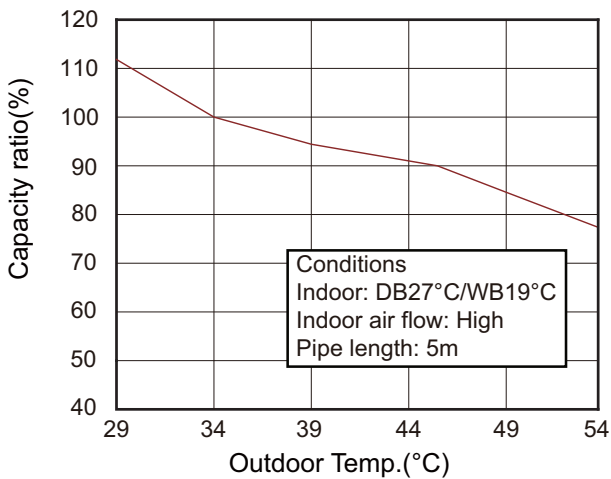


Heating

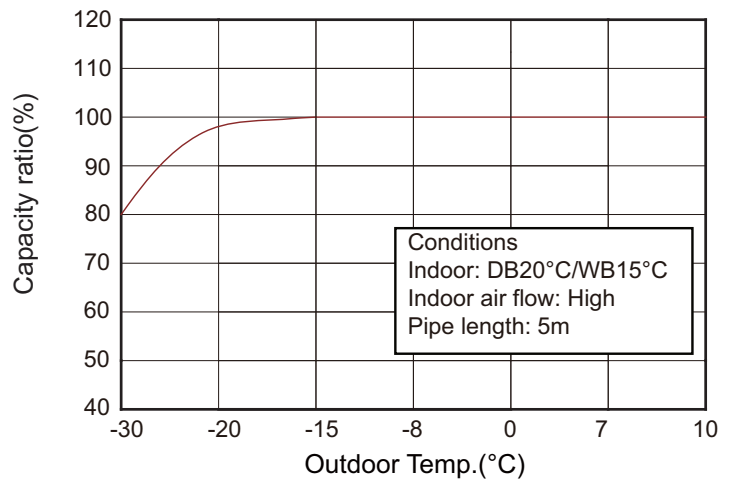


18K

Cooling

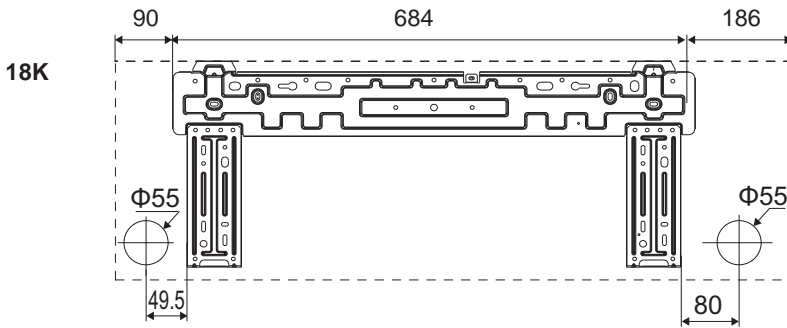
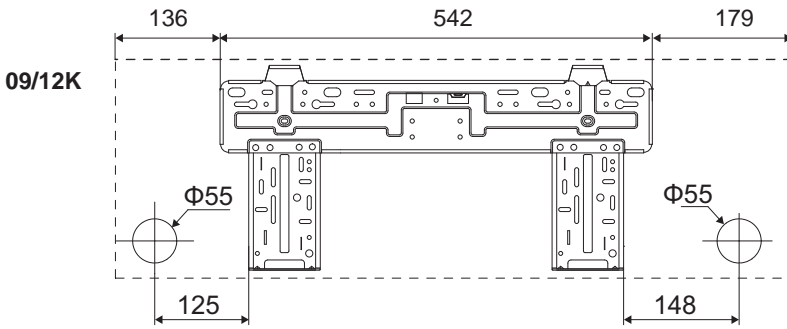
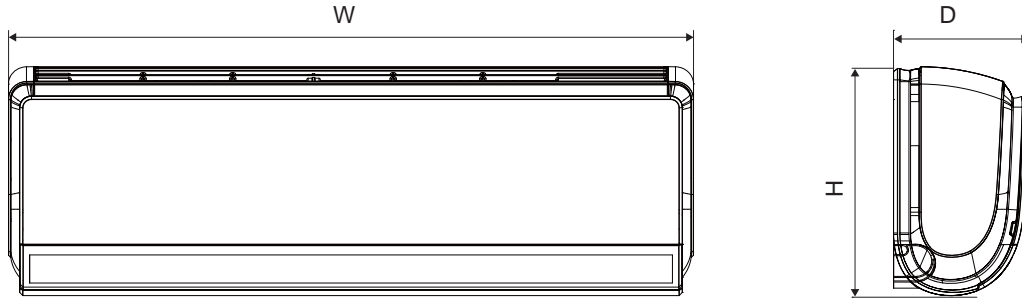


Heating



3. Outline Dimension Diagram

3.1 Indoor Unit

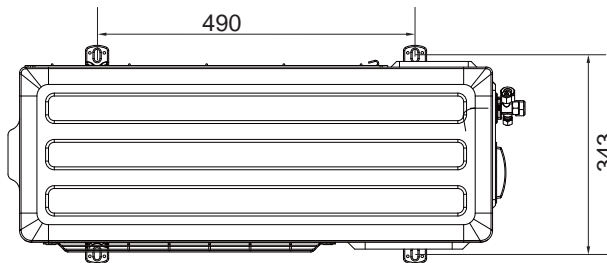
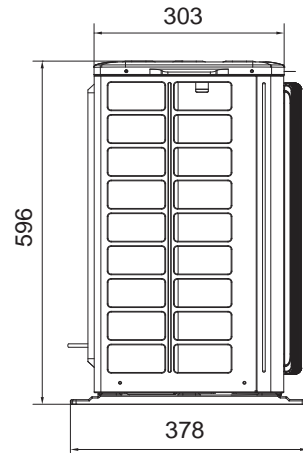
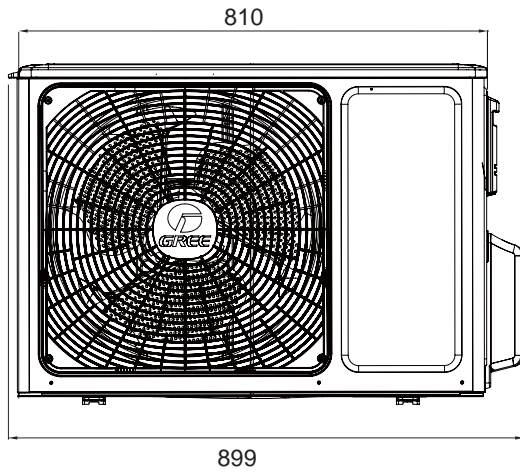


Unit:mm

Model	W	H	D
09/12K	860	305	170
18K	960	320	205

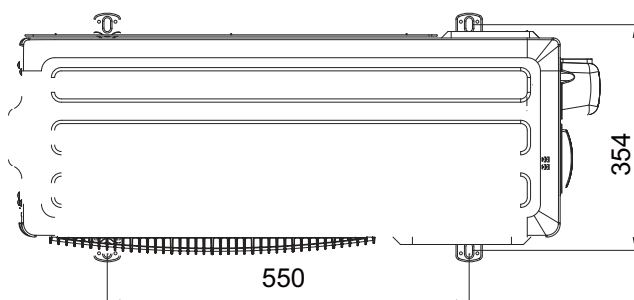
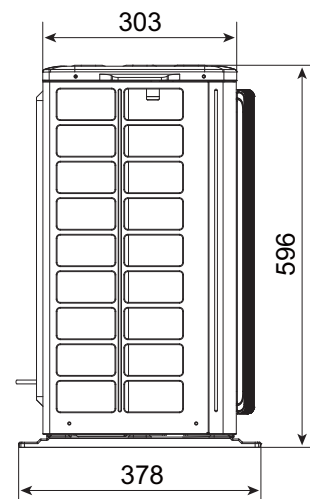
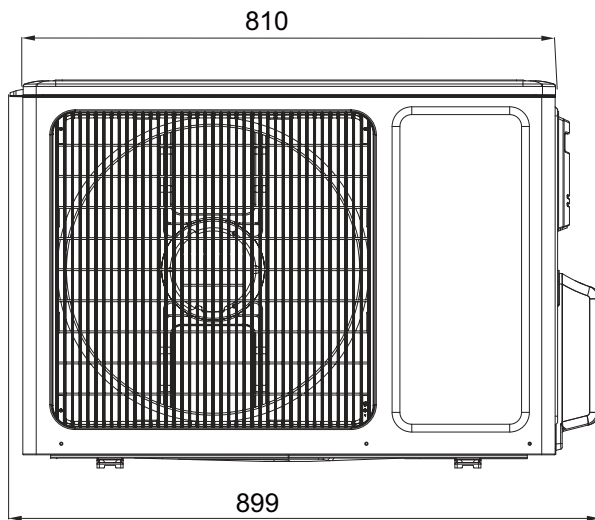
3.2 Outdoor Unit

GWH09UB-K6DNA4A/O



Unit:mm

GWH12UB-K6DNA4A/O



Unit:mm

● ● ● ● ● Unit:mm Technical Information